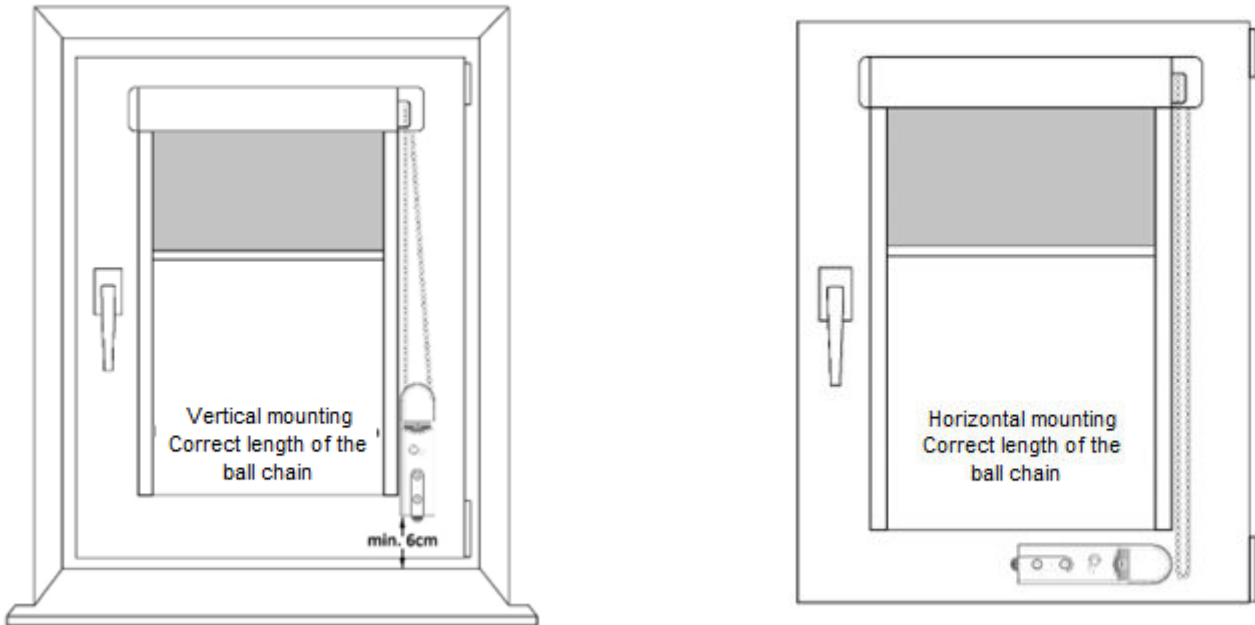


INSTRUCTION HOW TO SHORTEN THE BALL CHAIN

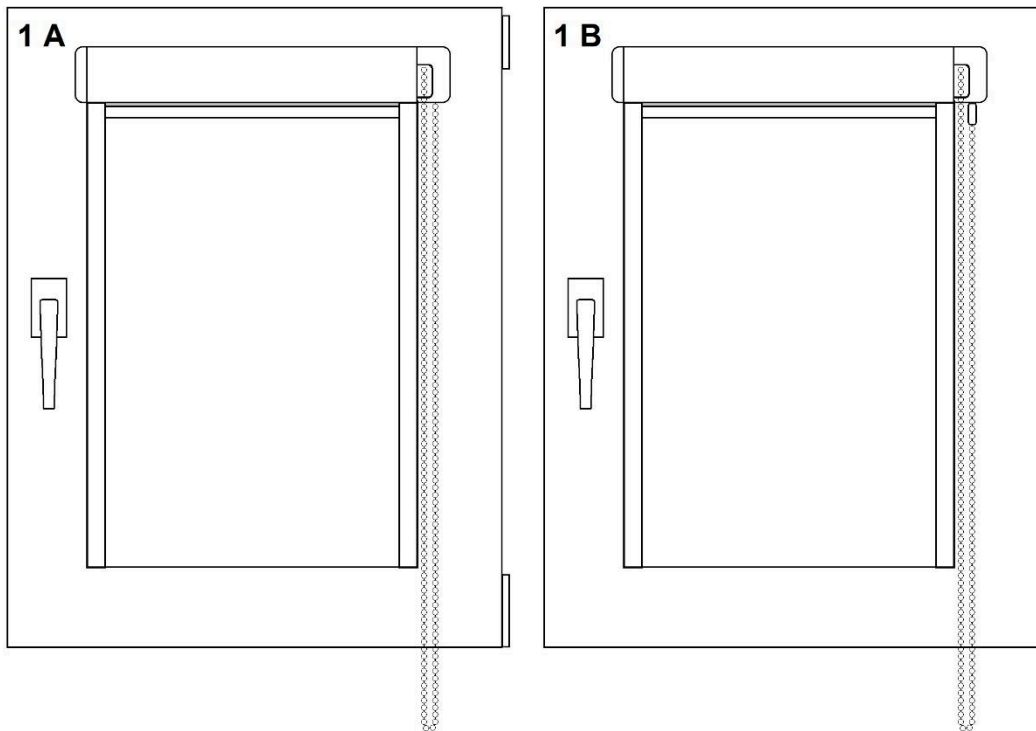
If the roller blinds to which you want to mount the Smart Blinds motor has a chain that is too long, it should be shortened to the correct length. To do this, follow the steps below.

Correct chain lengths for vertical and horizontal installation of the Smart Blinds motor.



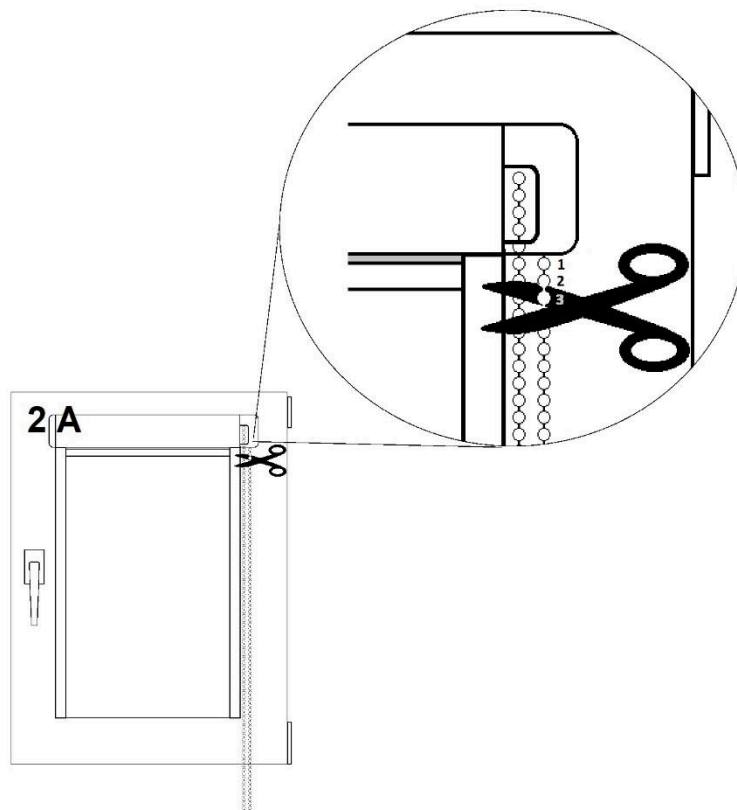
Step 1.

Set the blind to the maximum position. Fig. 1A - roller blind with a "loop" chain, Fig. 1B - roller blind with a chain connected with a plastic connector.

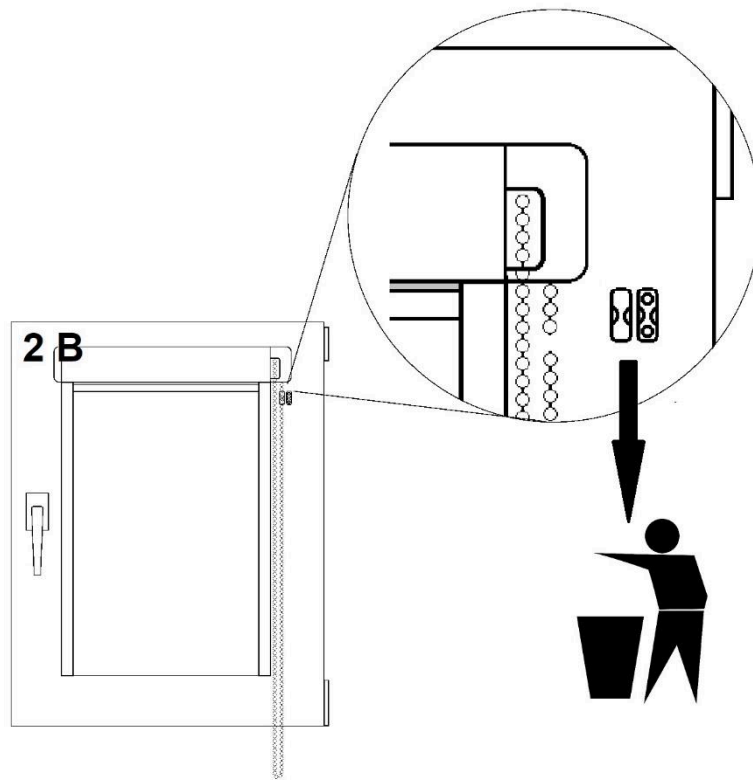


Krok 2.

A. If your ball chain is a loop (it does not have a connector) - cut it in the place shown in the picture, keeping a distance of 3 balls from the cassette.

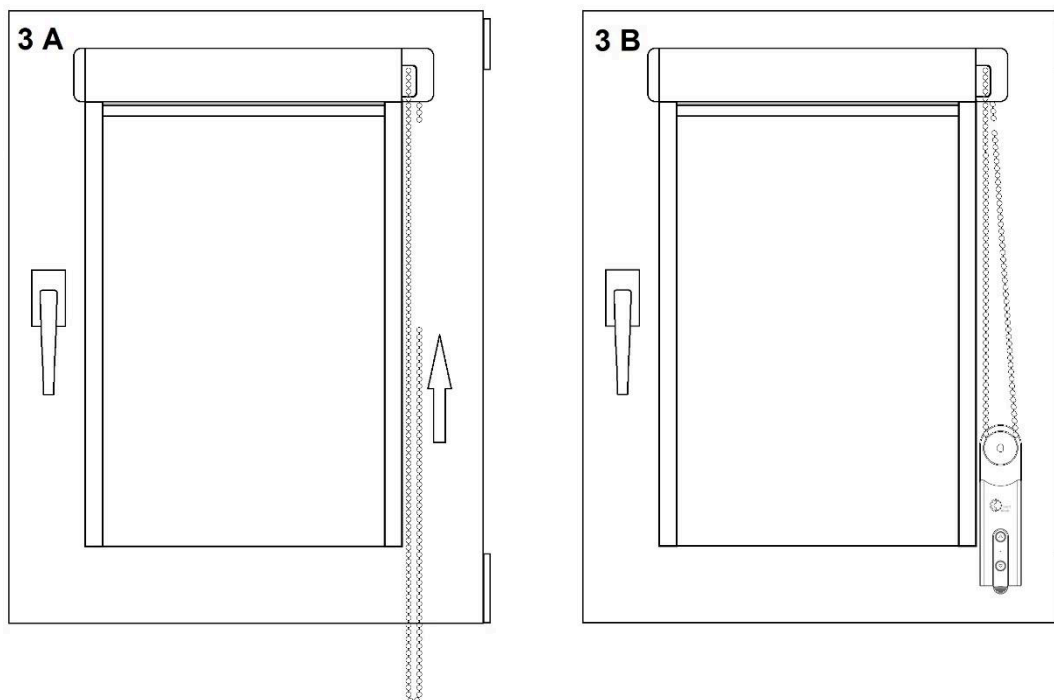


B. If your ball chain has a linkage, undo it and remove it



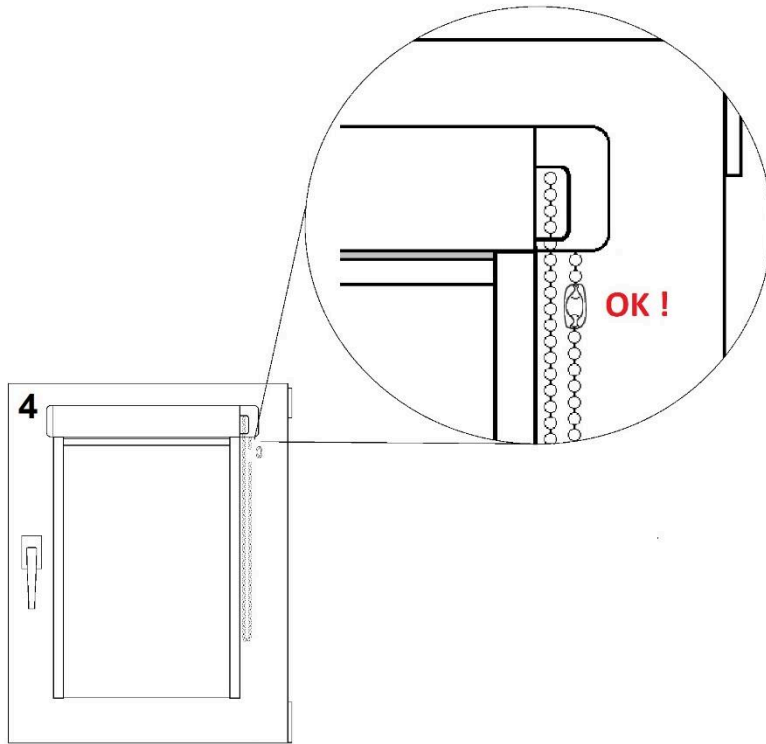
Step 3.

Adjust the correct length of the chain depending on how the Smart Blinds motor is installed - vertically or horizontally (see the pictures at the beginning of the manual) and cut the ball chain.



Step 4.

Connect the ends of the cut chain with the metal connector included in the purchased set.



Ready! You are now ready to assemble your Smart Blinds motor.